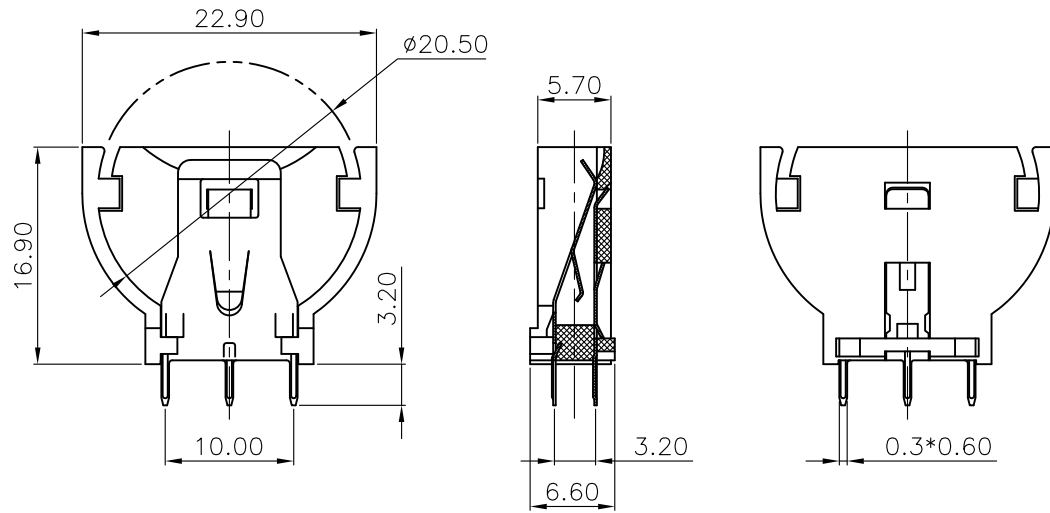


| REV. | DESCRIPTION | DRAWN         | CHECKED | APPROVED |
|------|-------------|---------------|---------|----------|
| A    | NEW RELEASE | YCH 08/07/12' | ~       |          |
|      |             |               |         |          |
|      |             |               |         |          |



**NOTE:**

**1. Materials:**

1.1 Base: Thermoplastic, UL94 V-0, Color of black.  
Temp. Range: -40°C to +105°C.

1.2 Positive & Negative Contacts: Copper Alloy.

**2. Specification:**

2.1 Dielectric Withstanding Voltage: AC 500V AC.

2.2 Insulation Resistance: 1000MΩ min.

2.3 Contact Resistance: 100mΩ Max.

**3. Part Number Code:**

DS1092-02 - X X X

Housing material:

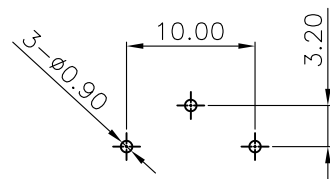
P: PBT

Contact plating:

6: Tin

Housing color:

B: Black



Recommend PCB Layout  
Tolerance=±0.05

| GENERAL TOLERANCE |       | ANGLE TOLERANCE   |       | PROJECTION | ⊕  | TITLE  | 2032 Lithium Coin Cell<br>Battery Holders Upright insert type |  |
|-------------------|-------|-------------------|-------|------------|----|--------|---|--|
| X.                | ±0.60 | X.                | ±5°   | UNITS      | mm |        |   |  |
| .X                | ±0.38 | .X                | ±3°   | SHEET SIZE | A4 | SERIES | DS1092-02 Series  |  |
| .XX               | ±0.25 | .XX               | ±2°   |            |    |        |   |  |
| DRAWING TYPE      |       | CUSTOMER          |       |            |    |        |   |  |
| SCALE             |       | 1:1               | SHEET | 10F1       |    |        |   |  |
| DRAWING NO.       |       | C-DS1092-02-XXX-A |       |            |    |        |   |  |