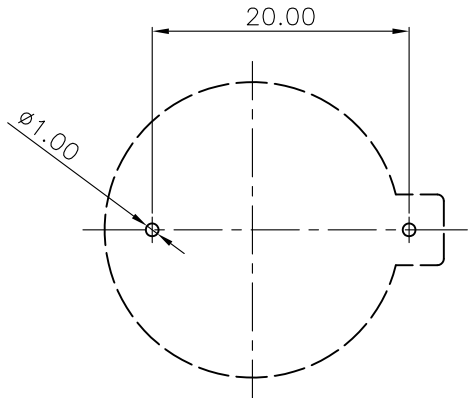
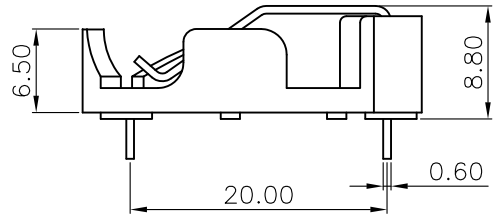
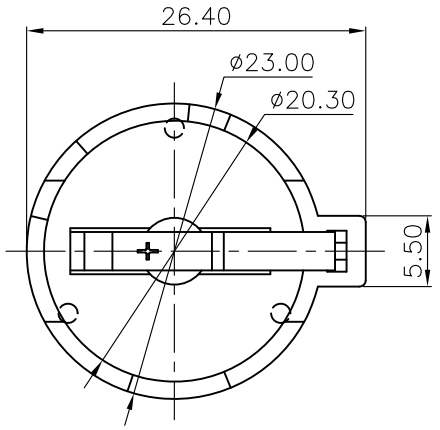


REV.	DESCRIPTION	DRAWN	CHECKED	APPROVED
A	NEW RELEASE	YCH 08/07/12'	~	



Recommend PCB Layout  
Tolerance= $\pm 0.05$

**NOTE:**

- Materials:
  - 1.1 Base: Thermoplastic, UL94 V-0, Color of black.  
Temp. Range:  $-40^{\circ}\text{C}$  to  $+105^{\circ}\text{C}$ .
  - 1.2 Positive & Negative Contacts: Copper Alloy.
- Specification:
  - 2.1 Dielectric Withstanding Voltage: AC 500V AC.
  - 2.2 Insulation Resistance: 1000M $\Omega$  min.
  - 2.3 Contact Resistance: 100m $\Omega$  Max.
- Part Number Code:  
DS1092-14 - X X X

- Housing material:  
P: PBT
- Contact plating:  
6: Tin
- Housing color:  
B: Black

GENERAL TOLERANCE		ANGLE TOLERANCE		PROJECTION		TITLE	2032 Lithium Coin Cell Battery Holders Horizontal insert type			
X.	$\pm 0.60$	X.	$\pm 5^{\circ}$	UNITS	mm					
.X	$\pm 0.38$	.X	$\pm 3^{\circ}$	SHEET SIZE	A4	SERIES	DS1092-14 Series			
.XX	$\pm 0.25$	.XX	$\pm 2^{\circ}$	DRAWING TYPE					CUSTOMER	
SCALE		1:1	SHEET		10F1					
DRAWING NO.		C-DS1092-14-XXX-A								